



## PRODUCT INFORMATION

### HWSPS1 ALUMINIUM COLLECTION POINT COLUMN

Evacuation in the event of an alarm is an individual and complex process. To meet all requirements for a reliable evacuation, simply use our digital collection point solution.

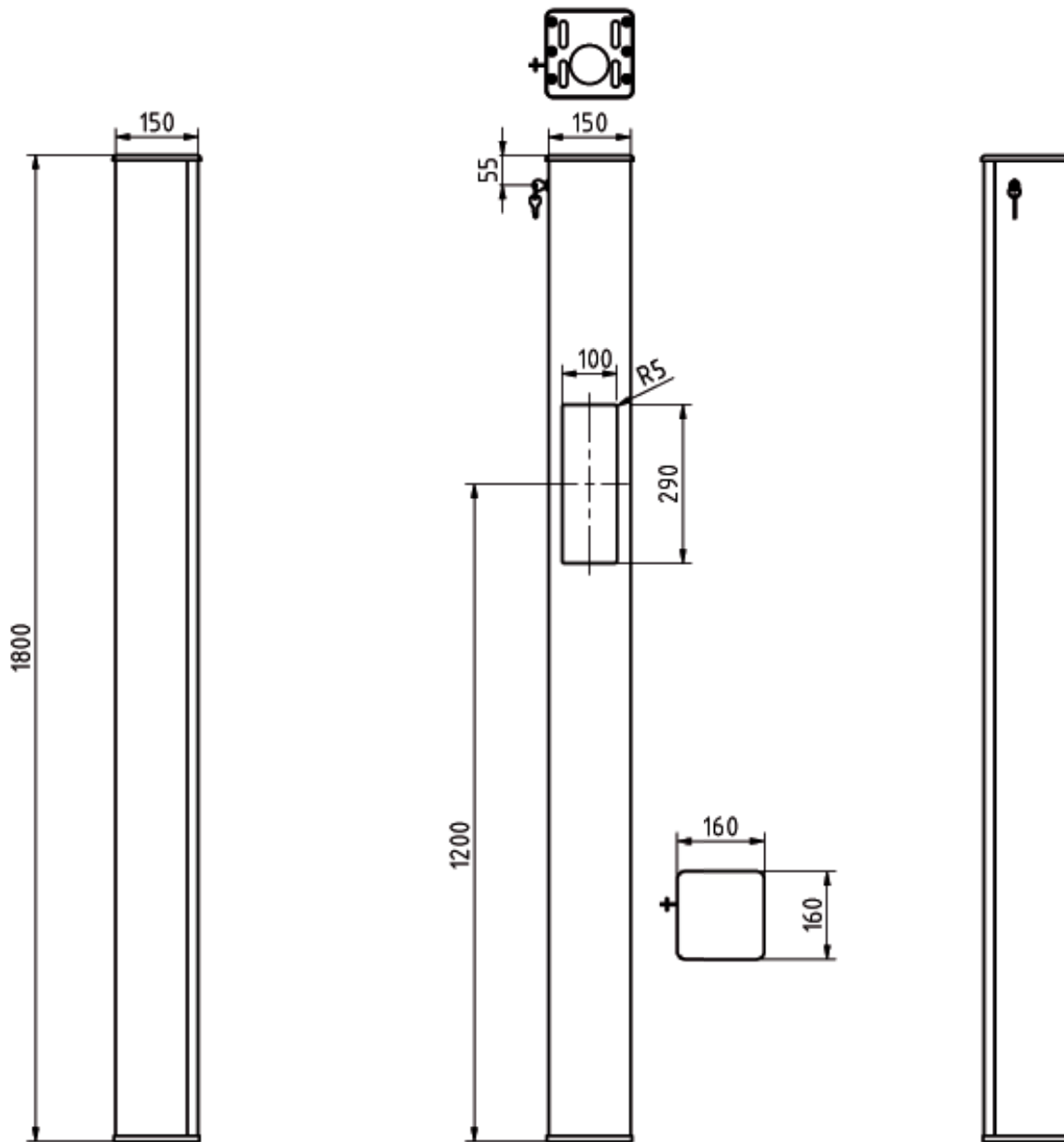
The aluminum column is weather-resistant and equipped with a touch display and a QR code scanner. This makes it child's play to implement check-in / check-out processes, such as registration at the collection point. For visual support, the lamp on the column lights up either green or red, signaling the successful capture of people.

The system can also be used outdoors. The readers have IP65 protection class.

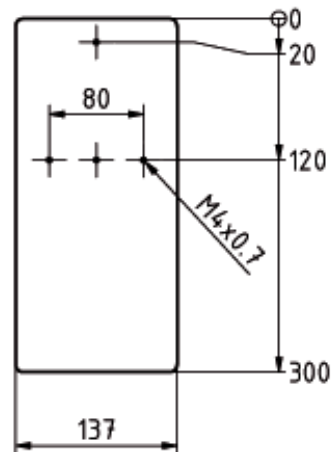
**metaSEC collection point column**  
Image shows equipment variant and may differ from the original

DISPLAY	<ul style="list-style-type: none"> <li>• Integrated 7" touch display</li> <li>• Full HD resolution for brilliant image display (resolution 1920 x 1080 px)</li> <li>• 10 point touch function for interactive touch applications</li> </ul>
CPU	<ul style="list-style-type: none"> <li>• metaSEC Controller (request data sheet separately)</li> </ul>
DIMENSIONS	<ul style="list-style-type: none"> <li>• H 1950 x W 160 x D 160 (mm)</li> <li>• Weight approx. 10 kg</li> </ul>
QR-SCANNER	<ul style="list-style-type: none"> <li>• Reading mode CMOS</li> <li>• Lighting LED (6000K) 90lux @100mm</li> <li>• Resolution 640 x 480 pixel</li> <li>• Scanning speed 30 times a second</li> </ul>
CONNECTIVITY	<ul style="list-style-type: none"> <li>• An Ethernet connection is required for operation. This must be provided by the customer. Optionally, the „Cloud Connectivity Module“ can also be booked via us for a mobile phone connection. Simply contact us for more information.</li> </ul>

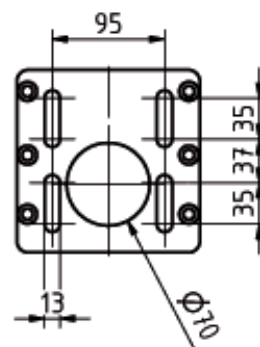
COLUMN DIMENSIONS



Mounting plate  
 • inside top mounted  
 • with mounting rail



Base plate



Dimensions in mm