



PRODUCT INFORMATION

HWSPS2 STAINLESS STEEL COLLECTION COLUMN

Evacuation in the event of an alarm is an individual and complex process. To meet all requirements for a reliable evacuation, simply use our digital collection point solution.

Of course, the stainless steel column defies all weather conditions and is available in two sizes.

The columns are designed modularly and can be equipped with different technology modules. Modules such as touch displays, intercoms (audio and video systems), QR code scanners, NFC readers, access control readers and thermal transfer printers are available here - according to your individual process. This makes it child's play to implement check-in / check-out processes, such as registration at the collection point.

The system can also be used outdoors. The QR code readers have the IP65 protection class.

metaSEC Collection point column
Image shows equipment variant and may differ from the original

DISPLAY	<ul style="list-style-type: none"> • Integrated 7" touch display • Full HD resolution for brilliant image display (resolution 1920 x 1080 px) • 10 point touch function for interactive touch applications
CPU	<ul style="list-style-type: none"> • metaSEC Controller (request data sheet separately)
DIMENSIONS	<ul style="list-style-type: none"> • Column small: H 2300 x W 278 x D 163 (mm) • Column large: H 1450 x W 278 x D 163 (mm) • Base plate: H 5 x W 340 x D 250 (mm)
COLOR	<ul style="list-style-type: none"> • RAL according to specification, powder coated
QR-SCANNER	<ul style="list-style-type: none"> • Reading mode CMOS • Lighting LED (6000K) 90lux @100mm • Resolution 640 x 480 pixel • Scanning speed 30 times a second



Figure shows equipment variant and may differ from the original

The front panel is made of ground 2mm stainless steel, secured by a profile cylinder lock and can be opened from the front. The front panel can be prepared for the installation of various manufacturer's technology modules on request.

A top-hat rail is mounted on the rear panel to accommodate the cable organization and technical modu-

les. A built-in technical channel is available for internal wiring. The cable entry is optionally through the base plate, rear panel or roof.

The column is available in free-standing and wall-mounted versions. Housing in brushed finish at extra charge, on request.

MODULES ON REQUEST

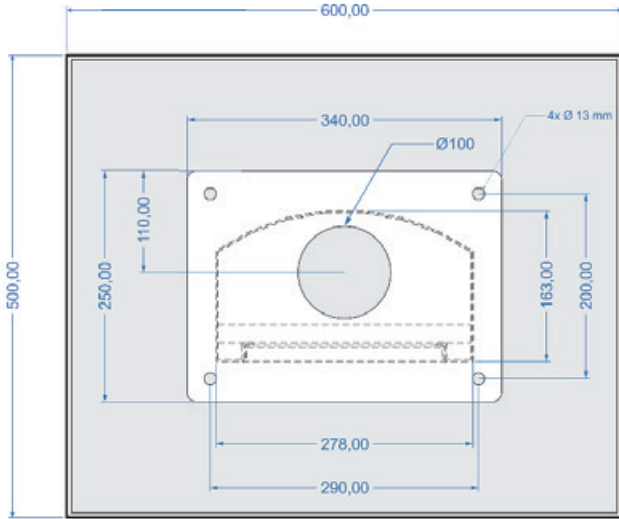
- NFC / access control reader
- QR code reader
- Thermotransfer printer
- Intercom with video system
- Intercom with audio system

please request corresponding data sheets separately

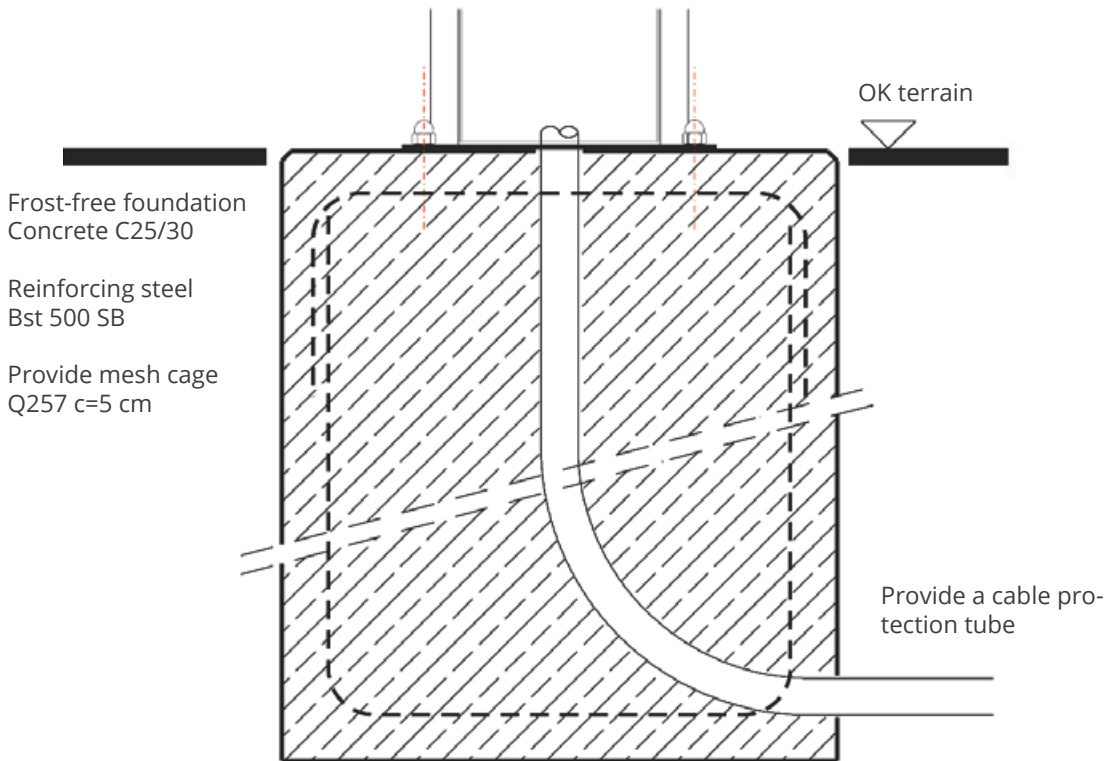
CONNECTIVITY

- An Ethernet connection is required for operation. This must be provided by the customer. Optionally, the „Cloud Connectivity Module“ can also be booked via us for a mobile phone connection. Simply contact us for more information.

FOUNDATION PLAN FOR THE COLLECTION POINT COLUMN

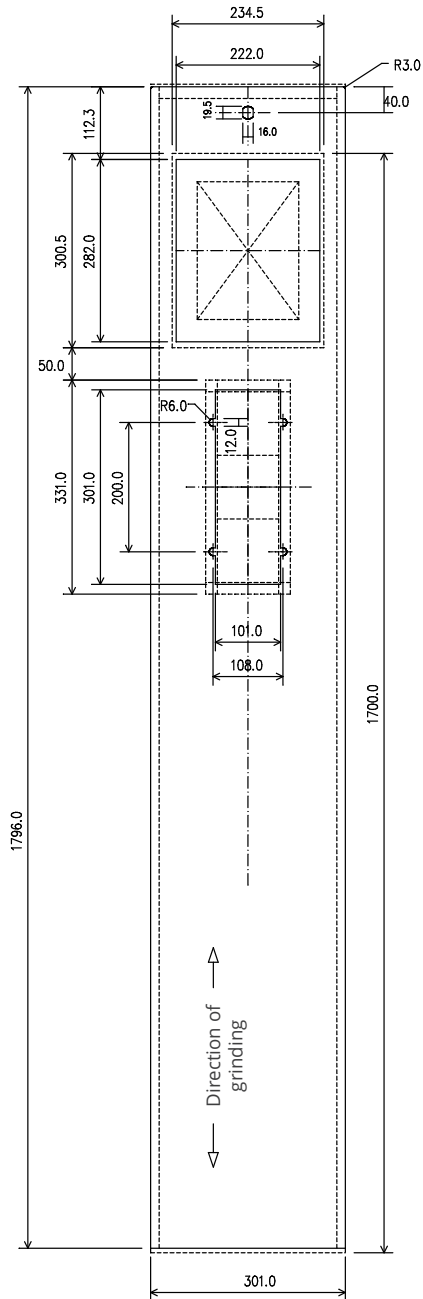


All specifications are to be adapted to local conditions. Reinforcement is recommended. The selection of anchor bolts / heavy-duty anchors and the further dimensioning of reinforcement should be calculated statically. In particular, the given wind load must be taken into account, especially on open ground.

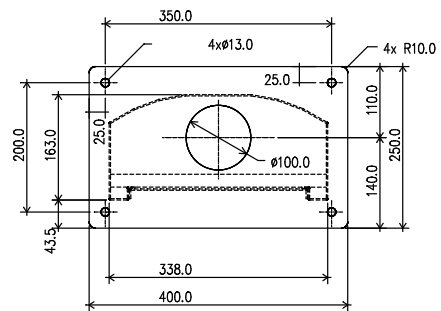


Dimensions in mm

DIMENSIONING FOR THE COLLECTION POINT COLUMN



POS 01
Front panel
1.4301 brushed
t=2.0 mm



POS 06
Floor panel
1.4301 IIIc
t=5.0 mm